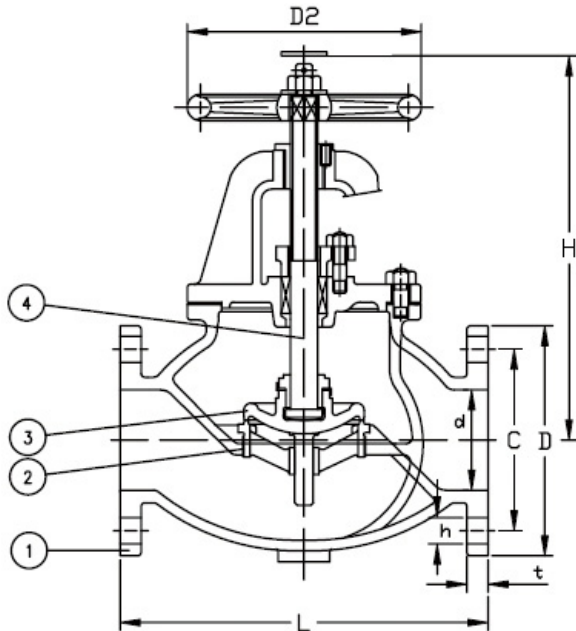




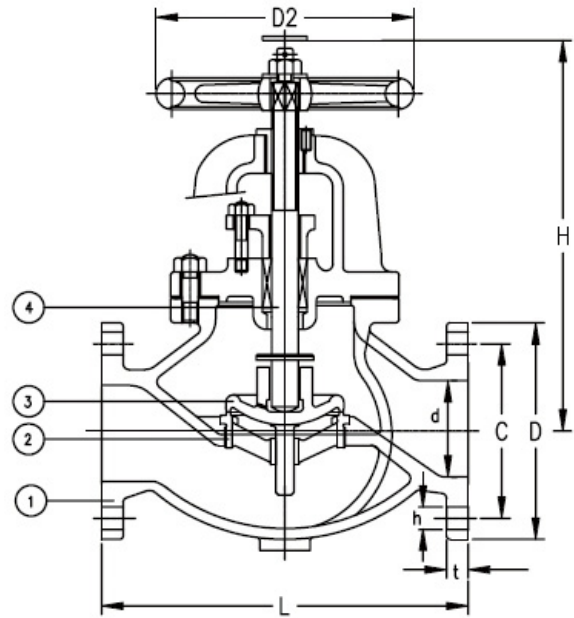
# MARINE CAST IRON 10K GLOBE VALVE - JIS F7307

## MARINE CAST IRON 10K GLOBE VALVE (SDNR) - JIS F7375

Manufactured in accordance to JIS F7400  
Flanges as per JIS B2220 - 10K



<JIS F7307>



<JIS F7375>

No.	Component	Material
1	Body	Cast Iron
2	Seat	Bronze
3	Disc	Bronze
4	Stem	Brass

Nominal Diameter	Test Pressure MPa [kgf/cm <sup>2</sup> ]	
	Body	Seat
200 or less	2.06 [21]	1.51 [15.4]
250 or more	1.47 [15]	1.08 [11]

Size	F7307									F7375								
	L	D	C	No.	h	t	H	D2	Kg	L	D	C	No.	h	t	H	D2	Kg
50A	220	155	120	4	19	20	285	160	19.9	220	155	120	4	19	20	285	160	19.9
65A	270	175	140	4	19	22	310	200	28.7	270	175	140	4	19	22	305	200	28.6
80A	300	185	150	8	19	22	320	200	32.4	300	185	150	8	19	22	315	200	32.5
100A	350	210	175	8	19	24	370	250	48.7	350	210	175	8	19	24	360	250	48.7
125A	420	250	210	8	23	24	420	280	73.1	420	250	210	8	23	24	410	280	73.0
150A	490	280	240	8	23	26	470	315	104	490	280	240	8	23	26	455	315	104
200A	570	330	290	12	23	26	555	355	162	570	330	290	12	23	26	530	355	161
250A	740	400	355	12	25	30	680	450	304	740	400	355	12	25	30	680	450	304
300A	840	445	400	16	25	32	770	500	458	840	445	400	16	25	32	770	500	458